

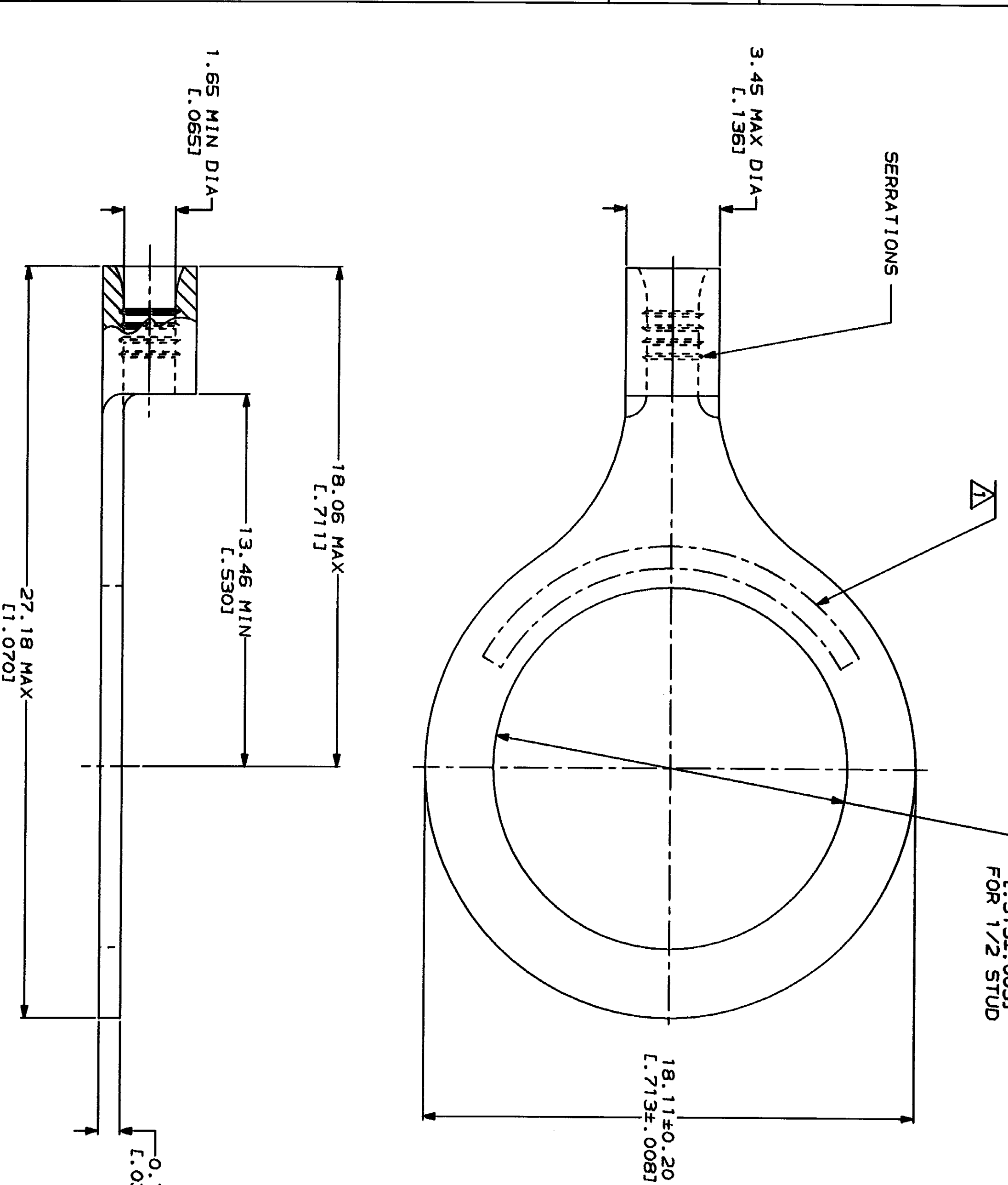
| LOG | DIST | ZONE | LTH | DESCRIPTION | DATE | APPD |
|-----|------|------|-----|--------------------------|------|------|
| G | 14 | | | REVISED PER 0720-0230-93 | | |

METPRIO
DIMENSIONS LISTED IN mm [INCHES]

| WIRE RANGE | E13288 Listed |
|--------------------|--------------------|
| 22-16 AWG STRANDED | 22-16 AWG STRANDED |

| | |
|------------------|------------------------|
| LR7189 Certified | MILITARY P/N AND CLASS |
| NOT CERTIFIED | NOT APPLICABLE |

STAMP AMP 22-18* APPROX AS SHOWN
22-16 TERMINALS ARE STAMPED 22-18 IN ACCORDANCE WITH MILITARY SPECIFICATION MIL-T-7928, COMMERCIAL WIRE RANGE IS 22-16



AMP INCORPORATED
CUSTOMER SERVICE SYSTEMS

FOR ADDITIONAL PRODUCT INFORMATION OR COPIES OF DRAWINGS AND TECHNICAL DOCUMENTS
1-800-522-6752

FOR APPLICATION TOOLING INFORMATION
1-800-722-1111

MAX RECOMMENDED OPERATING TEMPERATURE: 170°C MAX

VOLTAGE RATING: NOT APPLICABLE

WIRE CROSS SECTIONAL AREA RANGE: 0.26-1.65mm² [509-3,260] CIR MILS STRANDED

DO NOT SCALE PRINT. UNLESS SPECIFIED DIMENSIONS IN mm FINISHES TOLERANCES ON: 2 PLC DEC # 3 PLC DEC # ANGLES MATERIAL

FINISH: TIN PLATE
0.00254 [L.000100] MIN THK PER MIL-T-10727

DR 2-4-93 TA BRINKMAN
CHK 2-4-93 DA PATTERSON
APPD 2-4-93 DE MILLER
APPD 2-4-93 JL MCKELEY
PRODUCT SPEC

APPLICATION SPEC

AMP Incorporated
Harrisburg, PA 17105-3508

TERMINAL, RING TONGUE, BUDGET
CAGE CODE 00779
DRAWING NO C-328970
SCALE 8:1
SHEET 1 OF 1